



CXT circular external grilles

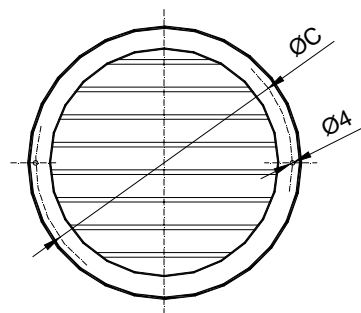


MADEL®

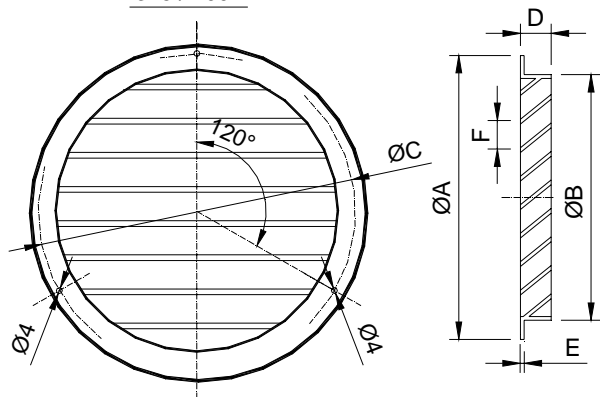
The **CXT** series grilles are designed to take in air from the exterior or to expel used air. The fixed blades at 45° are designed to prevent rain penetration. They are very strongly built and resistant to aggressive climatic conditions, for outdoor installation.

CXT

125 / 160 / 200 / 250



315 / 400



H	$\varnothing A$	$\varnothing B$	$\varnothing C$	D	E	F	Kg
125	155	124	139,5	25	3	20	0,36
160	190	159	174,5	25	3	20	0,41
200	230	199	214,5	25	3	20	0,49
250	280	248	264	28	3	20	0,74
315	350	314	332	20	3	20	1,94
400	440	399	419,5	25	7	25	3,6

CLASSIFICATION

CXT Circular grille with embedded mesh.

MATERIAL

Injected aluminium grille.
These grilles have embedded a mesh.

FIXING SYSTEMS

(T) The grille is fixed in place with screws.

FINISHES

M9016 Painted in white similar to RAL 9016.

M9010 Painted in white RAL 9010.

RAL... Painted in other RAL colours.

SPECIFICATION TEXT

Supply and mounting of external use circular grille with mesh series **CXT (T) M9016 dim. 400**, constructed from aluminium paint in white **M9016**, visible fixing by screws **(T)**.
Manufacturer **MADEL**.

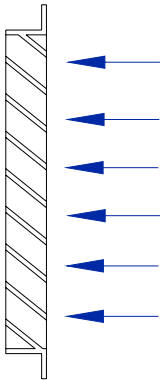
CXT

NECK VELOCITY, PRESSURE LOSS AND SOUND POWER LEVEL.

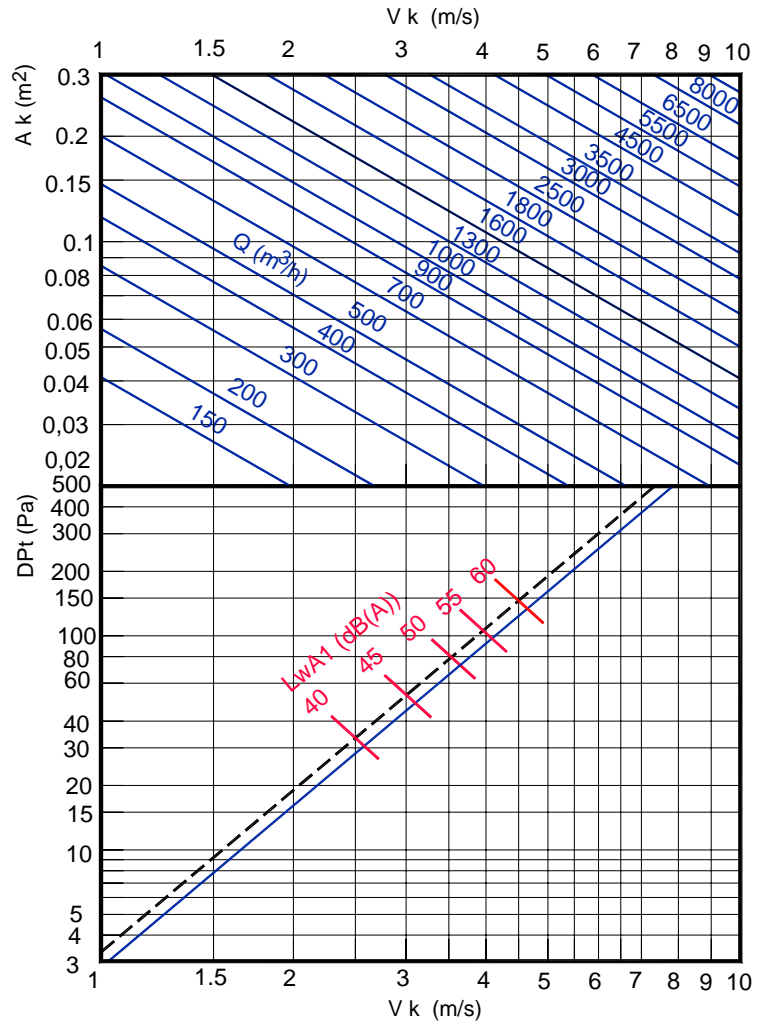
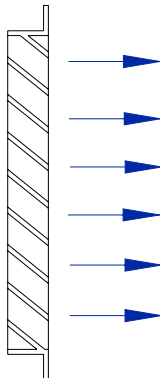
NECK AREA m².

	A _k m ²
125	0,0123
160	0,0201
200	0,0314
250	0,0491
315	0,0779
400	0,125

TAKE IN AIR



EXPELL USED AIR



--- TAKE IN AIR
 — EXPELL USED AIR

$$V_k \text{ (m/s)} = \frac{Q \text{ (m}^3 \text{ / h)}}{A_k \text{ (m}^2) \cdot 3600}$$

$$V_k \text{ (m/s)} = \frac{Q \text{ (l/s)}}{A_k \text{ (m}^2) \cdot 1000}$$